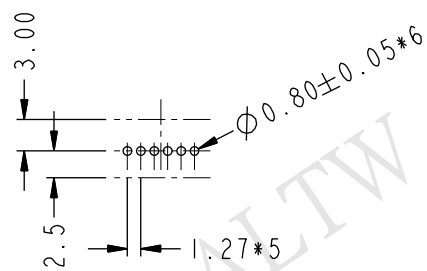
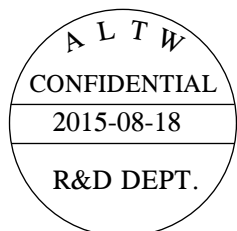
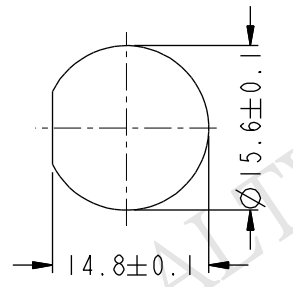
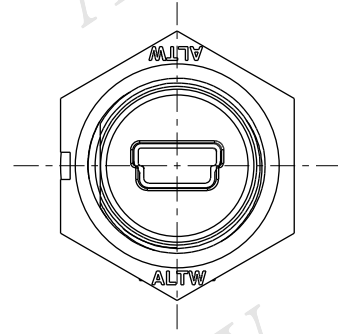
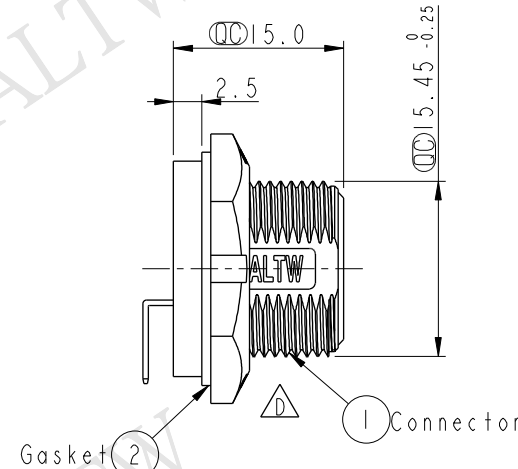
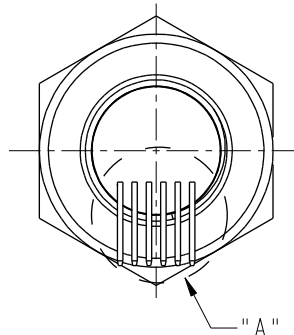


THIS DOCUMENT IS SUBJECT TO CHANGE WITHOUT NOTICE. IT IS CONFIDENTIAL AND A PROPERTY OF Amphenol LTW. DISCLOSURE TO THIRD PARTY HAS TO BE AUTHORIZED BY Amphenol LTW.

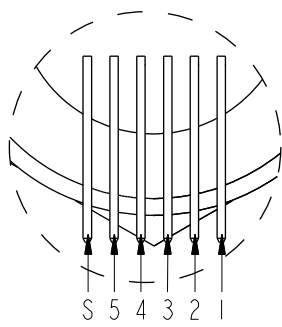
REV.	ECN NO.	DATE	SIGN	DESCRIPTION
B	LE3-730251			
C	LEN-7B0145	2007/11/15	Gao Ling	Modify Panel Thickness
D	LEN1590049	2015/08/18	Ruru	Change Logo



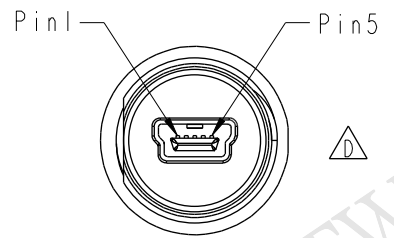
The Distance from PCB edge is 2.5mm max.
距離PCB板邊最大尺寸為2.5mm
PCB Layout



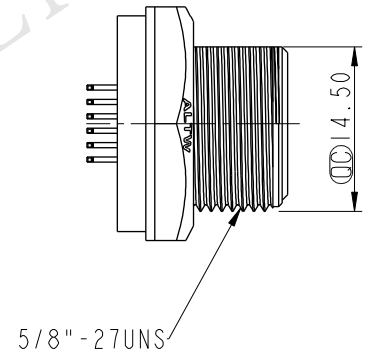
Recommended Panel Cut-Out



Detail A
Scale 2:1



Pin Assignments
Front View



- Note:
- * \varnothing Important Dimension.
 - * Waterproof Rate: IP67
 - * Housing: Nylon+GF
 - * Screw Nut: Nylon+GF
 - * Gasket: EPDM
 - * Connector: Mini USB Dip Type
 - * Wafer: 1.27mm Pitch 90°
 - * \triangle Use with waterproof cap or dust cap For Panel Thickness Max: 1.3mm
 - * \triangle Use without waterproof cap or dust cap For Panel Thickness Max: 2.5mm

UNIT:mm		
TOLERANCE	.X ±0.25	.XX ±0.1
.XXX	±0.05	
ANGLES	±1°	

TITLE Mini USB Panel 90°			
SCALE 3:2	SIZE A4	SHEET 1 OF 1	
REV. D	WC-REV. A.4	\varnothing : Inspection item	

Amphenol LTW
安費諾亮泰企業股份有限公司

ITEM NO NUB-20PMFR-SC7001	DRAWN BY Ruru	DATE 2015-08-18
DWG NO NUB-20PMFR-SC7001	CHECKED BY Rita	DATE 2015-08-18
CUSTOMER ALTW	APPROVED BY Lion	DATE 2015-08-18